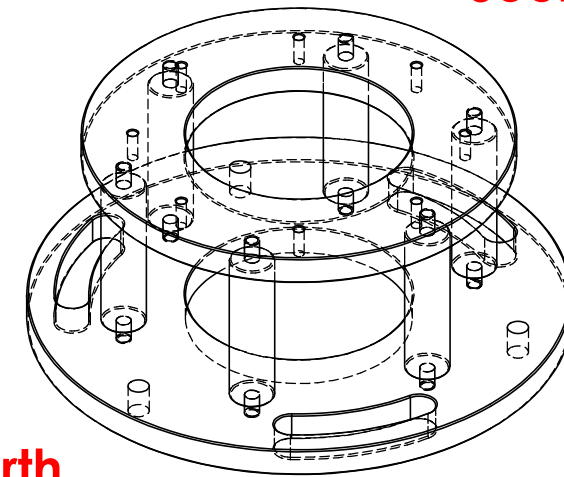
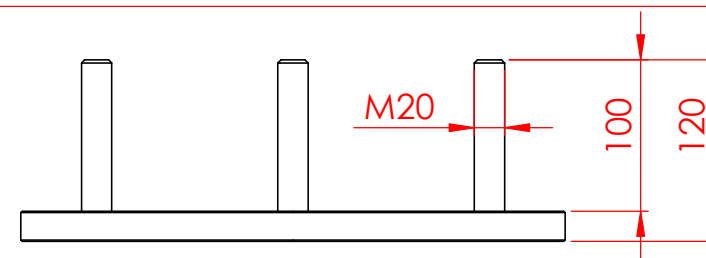


North



South

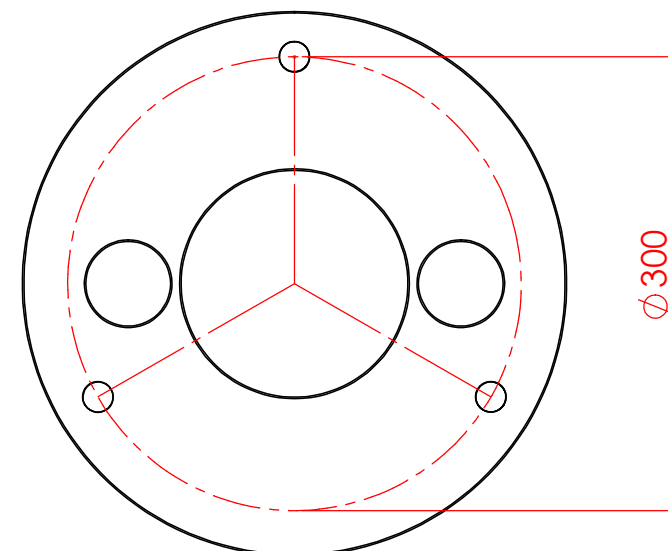
North



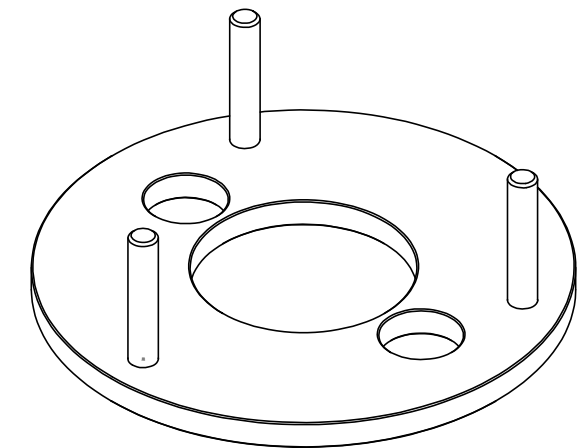
Mounting possibility for Leveling Flange onto customer pillar

Not included in the delivery

South



North



Dimensions without given tolerance have a tolerance of $\pm 0.1\text{mm}$.

This technical design drawing is proprietary, we do reserve all rights. Unauthorized copying, unauthorized use or information of third parties of its contents without our written consent is considered a serious infringement and will be prosecuted by law



Surface:

Scale: 1:1

WEIGHT: 23kg

A3

MATERIAL: powder coated steel

2015 NAME DATE

DRAWN J.Baader 29.01.

INSPECTED

PRODUCTION

ARTICLE:

GM3000 Leveling Flange

1. - - -
2. - - -
3. - - -
4. - - -

BAADER PLANETARIUM
ZUR STERNWARTE
82291 MAMMENDORF
Phone 08145/8802
Fax 08145/8805

DRAWING NO.:

No.: Change ment Date Name Ers.f.

Whgr.

BLATT 1 VON 1